



# DeMontroond<sup>®</sup>



ACE OFFICE FURNITURE  
HOUSTON



ACE OFFICE FURNITURE  
HOUSTON

GOREE  
ARCHITECTS

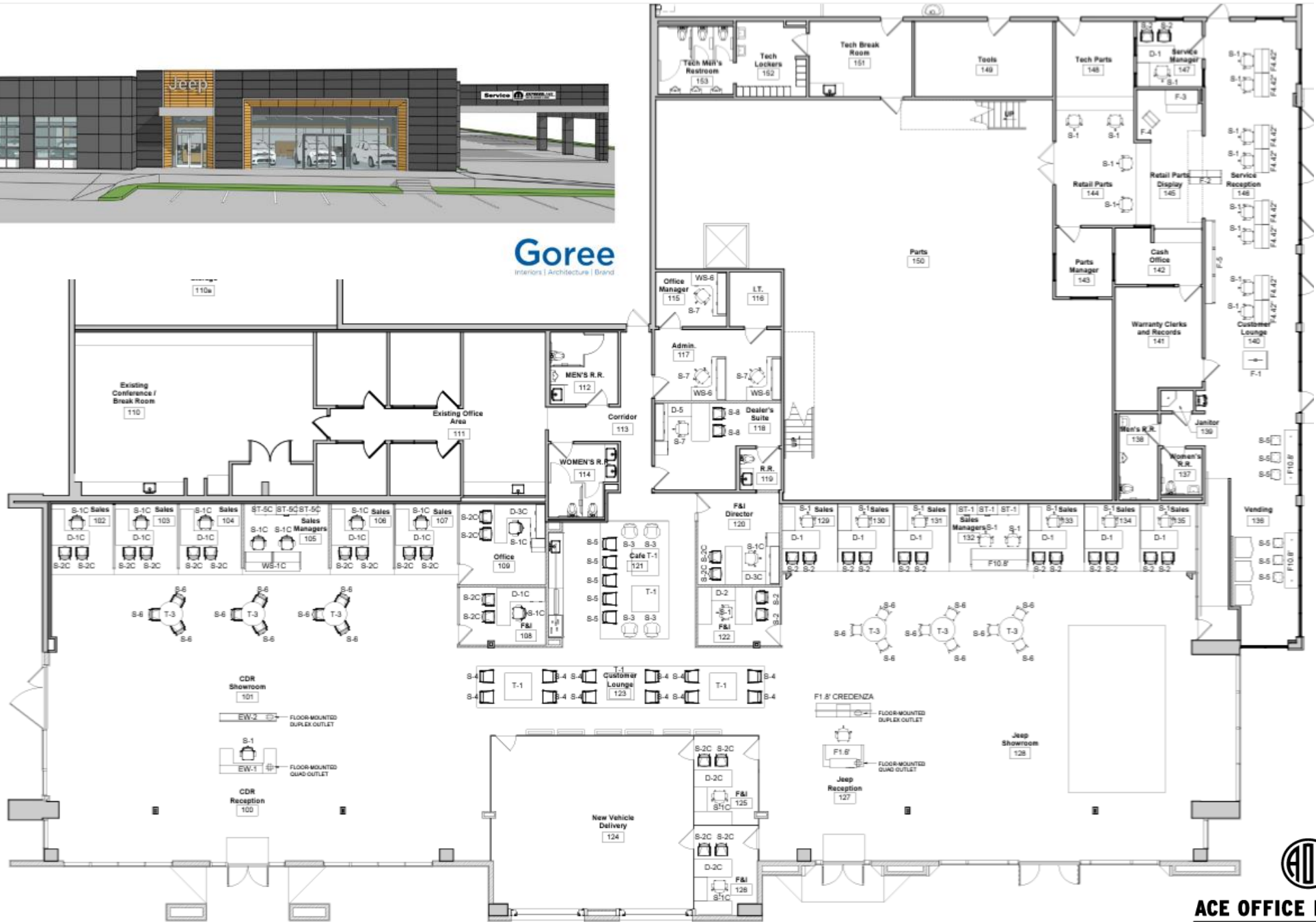


# Jeep



**GOREE**  
ARCHITECTS

**Goree**  
Interiors | Architecture | Brand



**ACE OFFICE FURNITURE**  
HOUSTON

# DeMontrond®



GOREE  
ARCHITECTS





**ACE OFFICE FURNITURE**

HOUSTON

# OFFICE FURNITURE PROPOSAL





Heritage Maple  
(HE)



Charcoal  
Graphite (CH)



Summer Flame  
(SU / HPSU)

# Jeep



LAMINATE

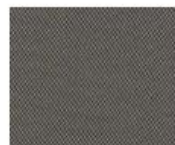


Asian Amber



Medium Grey

FABRIC



Versatility Graphite

PAINT



Medium Grey

LAMINATE



Medium Cherry



Medium Grey

FABRIC



Versatility Graphite

PAINT



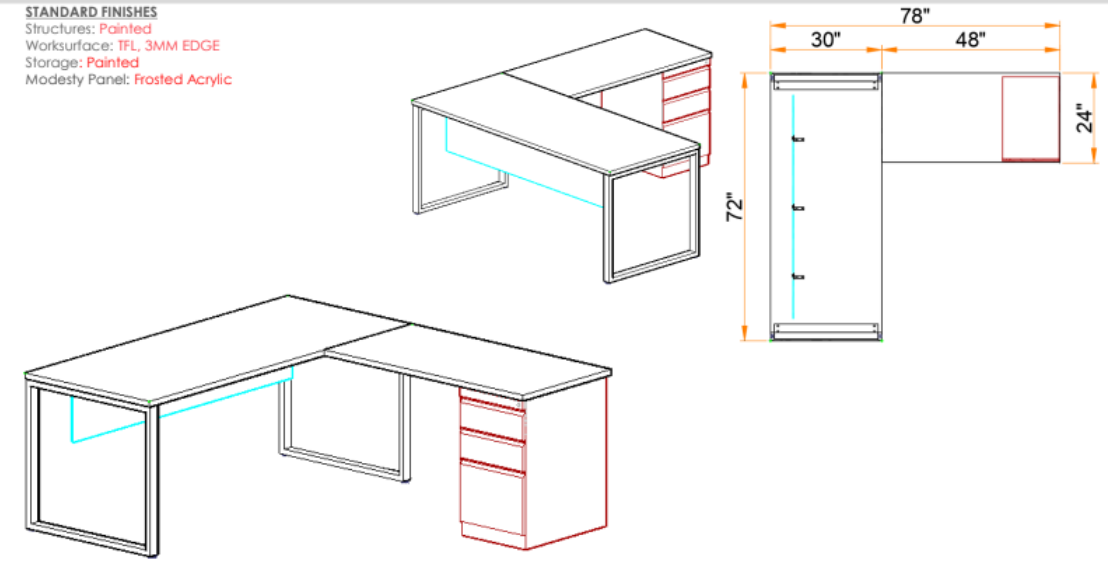
Medium Grey

**STANDARD FINISHES**  
 Structures: *Painted*  
 Worksurface: *TFL, 3MM EDGE*  
 Storage: *Painted*  
 Modesty Panel: *Frosted Acrylic*

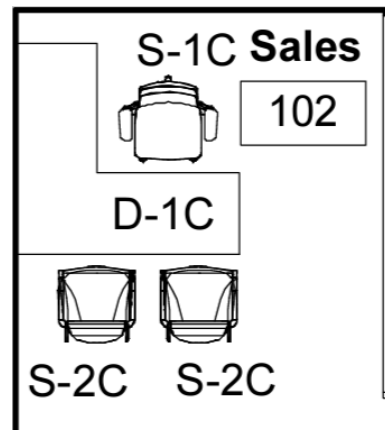
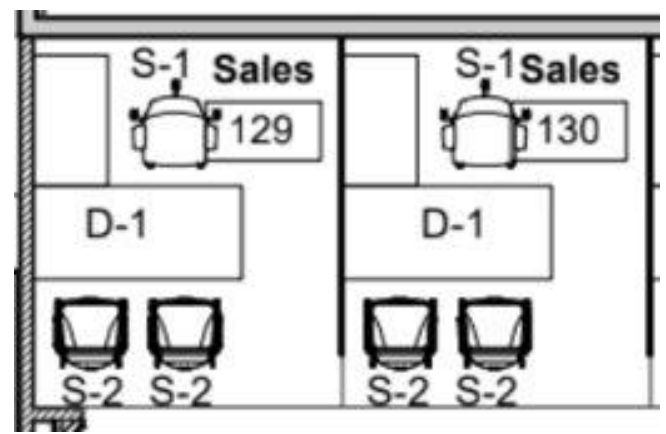


D-1- L-Shaped 72x30 Qi O-Leg Desk with 48x24 Return and BBF Metal Pedestal

**STANDARD FINISHES**  
 Structures: *Painted*  
 Worksurface: *TFL, 3MM EDGE*  
 Storage: *Painted*  
 Modesty Panel: *Frosted Acrylic*



D-1- L-Shaped 72x30 Qi O-Leg Desk with 48x24 Return and BBF Metal Pedestal



**STANDARD FINISHES**

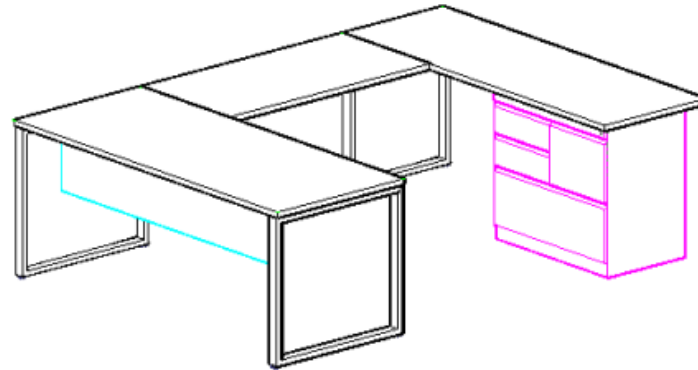
Structures: **Painted**  
 Worksurface: **TFL, 3MM EDGE**  
 Storage: **Painted**  
 Modesty Panel: **Frosted Acrylic**



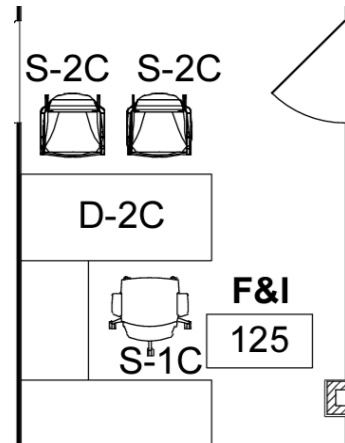
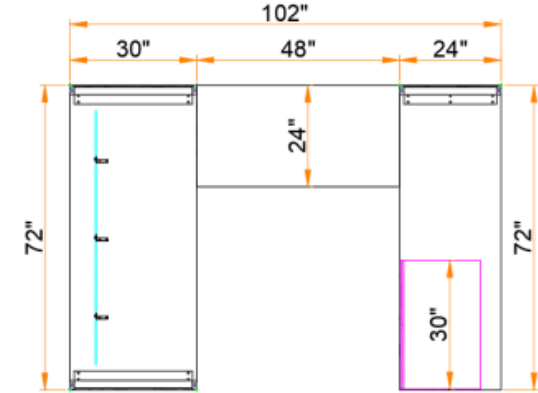
**D-2-** U-Shaped 72x30 Qi O-Leg desk with 48x24 Bridge and 72x24 credenza with Multifile Metal Pedestal

**STANDARD FINISHES**

Structures: **Painted**  
 Worksurface: **TFL, 3MM EDGE**  
 Storage: **Painted**  
 Modesty Panel: **Frosted Acrylic**



**D-2-** U-Shaped 72x30 Qi O-Leg Desk with 48x24 Bridge and 72x24 credenza with Multifile Metal Pedestal



# D-3C & D-5 Executive Office Desk

## STANDARD FINISHES

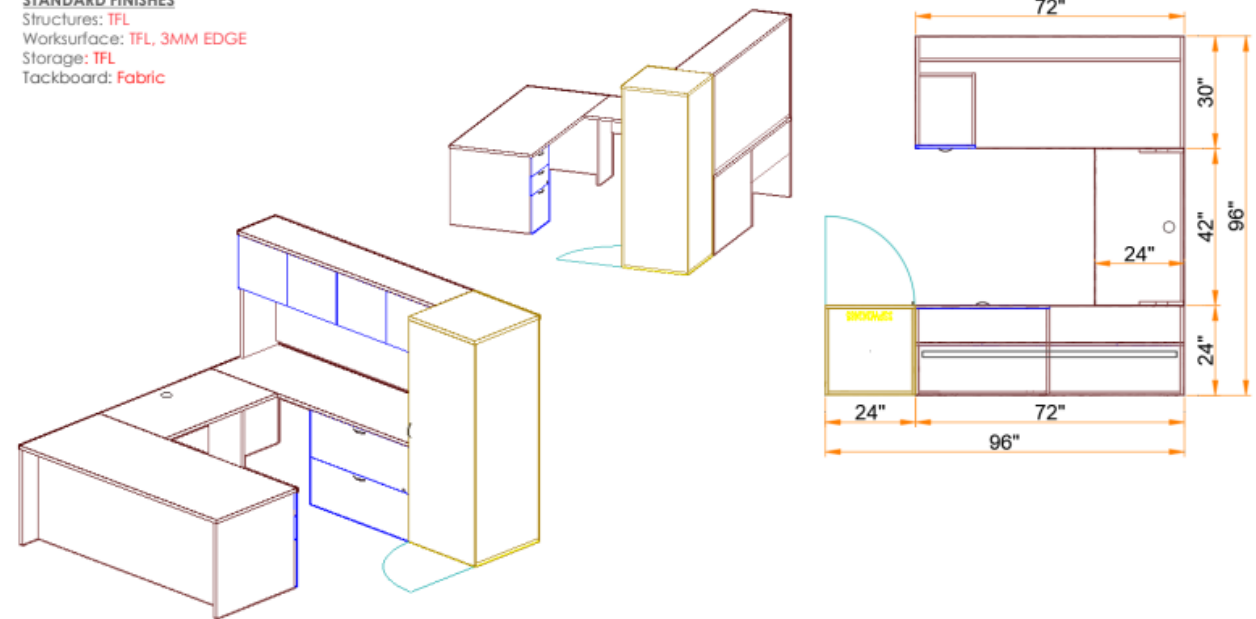
Structures: TFL  
 Worksurface: TFL, 3MM EDGE  
 Storage: TFL  
 Tackboard: Fabric



**D-5-** U-Shaped 72x30 TREO Desk with BBF Pedestal, 42x24 Bridge, 72x24 Lateral Credenza, Hutch and 65"H Wardrobe

## STANDARD FINISHES

Structures: TFL  
 Worksurface: TFL, 3MM EDGE  
 Storage: TFL  
 Tackboard: Fabric



**D-5-** U-Shaped 72x30 TREO Desk with BBF Pedestal, 42x24 Bridge, 72x24 Lateral Credenza, Hutch and 65"H Wardrobe

# Jeep



Heritage Maple  
(HE)



Summer Flame  
(SU / HPSU)



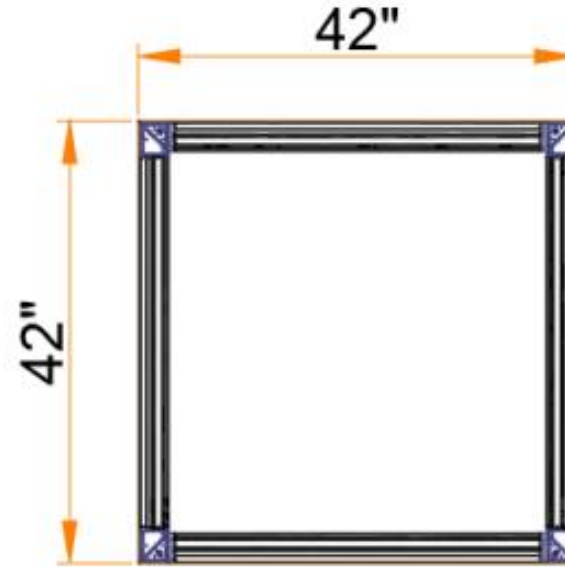
**ACE OFFICE FURNITURE**  
HOUSTON



**STANDARD FINISHES**

Structures: Painted, Silver Knuckle

Worksurface: TFL, 3MM EDGE



**T-1 – 42x42 Edge Exec. Coffee Table**

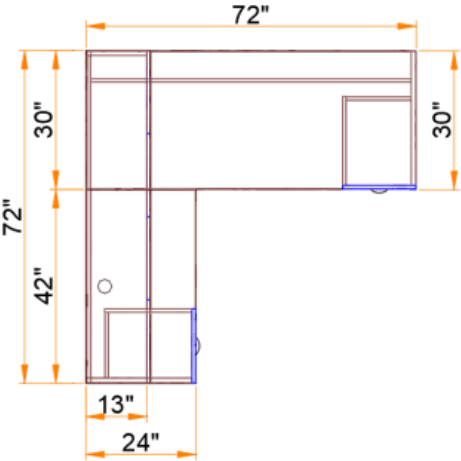
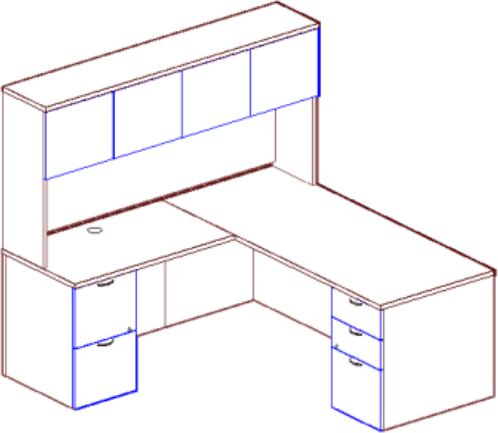
**T-1 SQUARE COFFEE TABLE**

# WS-6- Admin and Office Manager

**STANDARD FINISHES**  
 Structures: TFL  
 Worksurface: TFL, 3MM EDGE  
 Storage: TFL

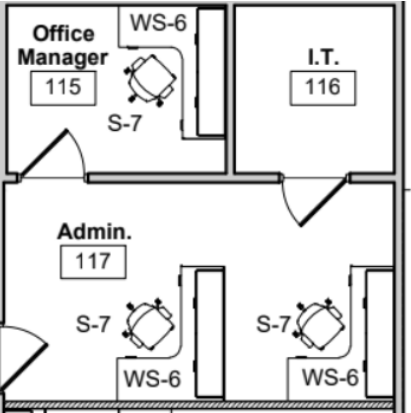


**STANDARD FINISHES**  
 Structures: TFL  
 Worksurface: TFL, 3MM EDGE  
 Storage: TFL

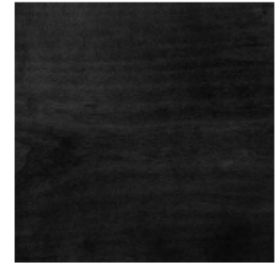
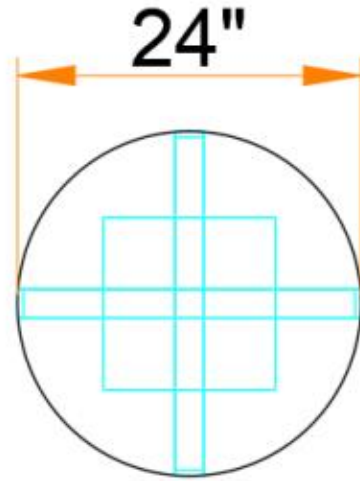


**WS-6 - L-Shaped 72x30 TREO Desk with BBF Pedestal, 42x24 Return with FF and Hutch**

**WS-6 - L-Shaped 72x30 TREO Desk with BBF Pedestal, 42x24 Return with FF and Hutch**

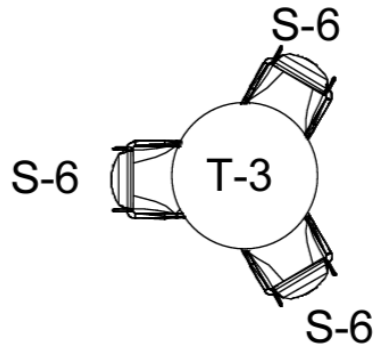


Structures: Painted  
Worksurface: TFL, 3MM EDGE



Black Lacquer

T-3 – 24" Dia, Bar Height Table with X-Base



S-6 GUEST CHAIR

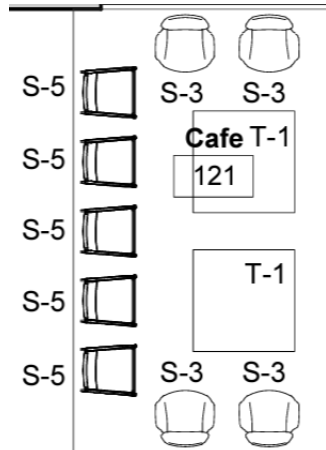


T-3 CAFE TABLE

# T-3 & S-6 Café Height Table and Stool



S-3 Lounge Chair  
S-5 Café Chair



S-5 GUEST CHAIR



S-3 LOUNGE CHAIR



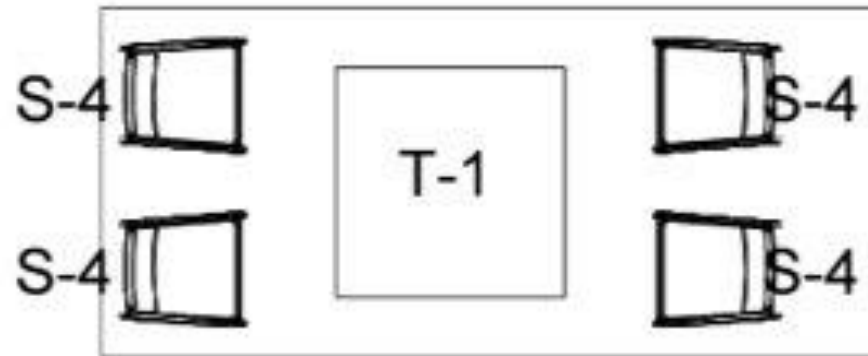


## S-4 Guest Chair



**Calidon™** seating and occasional tables share a distinctly modern appearance. With well-balanced and full-frame, solid hardwood construction, Calidon is a versatile solution combining comfort, style and durability for years to come. Fully upholstered lounge models include optional integrated power and USB charging for easy access in either front or side locations. Guest and lounge seating feature an integrated wipe-out design to support cleaning protocols from workplace and hospitality to healthcare environments.

Dimensions: W25.75 x D29.5 x H32.5 IN



S-4 GUEST CHAIR





# TRENDI

The Trendi Series from OCI Seating provides everything you need for your office including a task chair, conference chair, stool and more. Trendi offers a clean and cool design with a synchro tilt mechanism with 3-position back lock and Seat Slider included. Excellent ergonomics come standard with Lumbar support that gives the user all day comfort.



Advanced Synchro Tilt Mechanism  
3-Way adjustable Arm Up/Down  
Seat Slider and Adjustable Lumbar  
Sliding Arm Pad moves  
Forward/Back, Swivels Left/Right



S-1 TASK CHAIR



# S-2 & S-2C Guest Chair



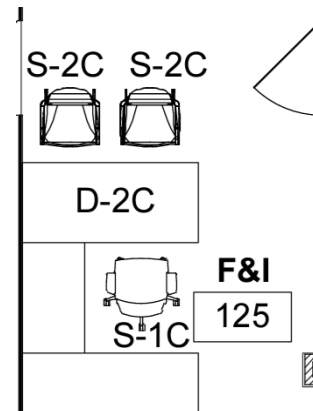
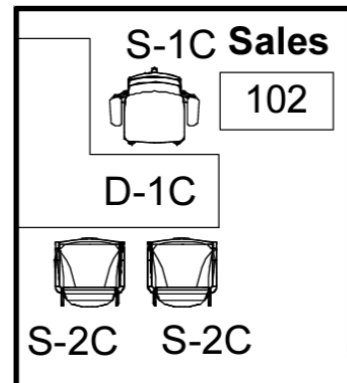
Poly Back



Silver Arm Finish



Black Frame



S-2 GUEST CHAIR



Contact: Lori Kasten  
LKasten@ewiworldwide.com  
Office: 414.277.6312

For questions, contact FCA Program  
Headquarters at 877-585-3696  
FCA-showroom@ewiworldwide.com

**JEEP SHOWROOM AND SERVICE FIXTURES**

With EWI, you benefit from a flexible solution and a well-aligned partner who will support the needs of your individual dealership. Designed and built by a team that has vast showroom design and merchandising experience, you can rest assured that there is a set of components that will fit your space and deliver to your brand strategy.

# Showroom Receptions and ALL "F & EW & WS-1" Items— Quoted Directly to Triple Deuce by Vendor EWI

**F1.8' CREDENZA**



FLOOR-MOUNTED DUPLEX OUTLET



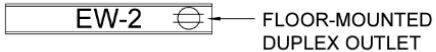
F1.6'

FLOOR-MOUNTED QUAD OUTLET

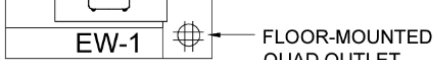
**Jeep Reception**  
127

**CDR Showroom**

101

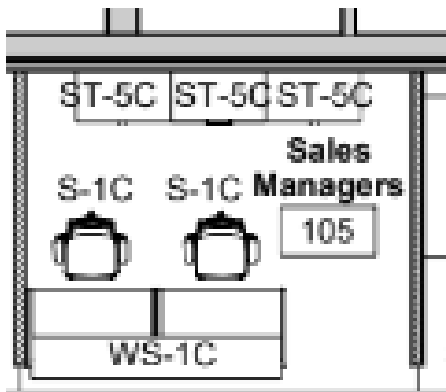


FLOOR-MOUNTED DUPLEX OUTLET



FLOOR-MOUNTED QUAD OUTLET

**CDR Reception**  
100



**Service Reception**

146

S-1

S-1

F4.42" F4.42"

**Vending**

136

S-5

S-5

S-5

F10.8'



**ACE OFFICE FURNITURE**  
HOUSTON



## Our Manufacturing

- Use products and processes designed to minimize off-gassing.
- We favor the use of solid adhesives to avoid gas emissions and waste issues; water-based adhesives exclusively used with spray methods.
- "Controlled chemicals" with known carcinogens are not used in any of our manufacturing processes.
- Steel components are finished with a hybrid epoxy powder-coat that minimizes waste and discharges.
- Cutting, drilling, and shaping equipment is connected to a sophisticated air exhaust / dust collection system to capture recyclable sawdust and minimize dust.
- Cut-plan orders are programmed by sophisticated optimization software to maximize board yield and reduce waste.
- Employ state-of-the-art, high-production, CNC (computer numerically controlled) equipment, powered by energy efficient electric motors.

# Sustainability



## Our Materials

- 70%+ of our materials are manufactured within a 500 mile radius of our factory.
- Many core materials are low emission particleboard with Green Cross certification.
- All products have been tested to industry compliant indoor testing standards verifying these products have met the ANSI/BIFMA M7.1-2007 standards for air emissions that are required for LEED certification. Please contact us directly for certification information and details.
- We welcome returned cartons and other packaging materials for reuse in our facility.
- All fluidconcepts products and components can be either recycled or reused.
- All offcuts, sawdust, and board waste are either recycled or reused.
- Fabric-covered tackboards are made from 100% recycled materials.
- All purchased materials & supplies packaged in recyclable containers.
- All cartons are 100% recyclable and contain a minimum of 35% recycled fibre.
- Furniture is bulk-packed to minimize packaging waste and maximize freight efficiency.
- Plastic and metal components sourced from suppliers that prioritize recycling.
- Our particleboard is a compressed organic wood fibre recycled from forest industry waste products.



## Limited Lifetime Warranty

Fluidconcepts' warrants its products to be free from defects in material and workmanship for as long as the original user owns the product, or twenty-five years in the case of a corporation or institution, subject to the limitations below. (product exceptions below)

This warranty is made by Fluidconcepts only to the original purchasers who have acquired the product directly from one of Fluidconcepts' authorized dealers and is installed by an professional trained in how to install Fluidconcepts' products. The original purchaser's sole remedy under this warranty is limited to repair or replacement with comparable product at Fluidconcepts' option. Consent must be obtained from Fluidconcepts before any warranty work is performed.

**Rigid Thermofoil (RTF)** finished work surfaces, storage fronts & cases are warranted for 5 years.

**Moving parts**, which include glides, slides, casters, user-adjustable work surface mechanisms, arms, and bases which are warranted for five years from the date of delivery.

**Accessories** including Task Lights, grommets and the Articulating Keyboard Tray, which are warranted for one year from the date of delivery

**Lighting and electrical** products sold, but not manufactured by FLUIDCONCEPTS & DESIGN INC or its subsidiaries, are covered by the terms of the original manufacturer's warranty only, and are not covered by this warranty.

**IMPORTANT NOTE** - this warranty covers normal wear and tear and does not cover chips, scratches, negligence or damages which occur during or after installation in a normal office or institutional environment.

**Shipping and Handling Damage** - Product damage (concealed or visible) due to shipping & handling must be reported within 5 working days of receipt of the product. (no exceptions) Supporting pictures and evidence **MUST** be provided in order to support the claim.

Replacement Parts

Three year availability from the date of purchase from FLUIDCONCEPTS & DESIGN INC, any of its subsidiaries or any of its authorized dealers





**DeMontroind**  
CONROE + HOUSTON + TEXAS CITY

 Centurion Pipeline L.P.

**EQ**  
enQuest

**BEST BUY**



**HPO Global**  HPO Global Resources Ventures Inc.

**ALFRED TALKE**  
*Logistic Services*

 **DLTRADING**

**Orangetheory**  
FITNESS

  
**PROSPERITY BANK**

**MAX**  
MIDSTREAM TEXAS

*Davita*  
*bringing quality to life*

  
**LOTUS**  
MIDSTREAM

 **DIAMOND**  
CLIENT GROUP  
GAIN CLARITY

  
**FITNESS CONNECTION**

**KIDDIE**   
**ACADEMY.**  
EDUCATIONAL CHILD CARE

**HOME 2**  
SUITES BY HILTON

**SYNERGEN X**

 **RIGMINDER**  
DRILLING SYNCHRONIZED

 Ervin Cable Construction, LLC

**flnb** First Liberty National Bank



## ACE OFFICE FURNITURE

HOUSTON



## ACE OFFICE FURNITURE HOUSTON'S MISSION STATEMENT

OUR MISSION STATEMENT IS TO DEVELOP AND SUSTAIN LONG LASTING BUSINESS RELATIONSHIPS WITH EACH CUSTOMER IN ORDER TO COLLABORATIVELY MEET ALL OF YOUR OFFICE FURNITURE NEEDS, WHILE KEEPING CUSTOMER SERVICE AS OUR NUMBER ONE PRIORITY.

### – WHO WE ARE –

Ace Office Furniture Houston ( AOF) is a leading provider of high-end, executive quality office furniture solutions for businesses in Houston and surrounding Texas cities that are beginning, expanding, upgrading, and/or moving. We offer what might be needed to outfit an office space, including new and remanufactured office cubicles. Our workspace design consultants work closely with clients, advising and guiding them through the process of conceptualizing, designing, selecting, delivering and installing their furnishings. If your business is in Houston or the Texas Gulf Coast area, Ace Office Furniture Houston is the place to visit for flexible and affordable solutions for your office furniture and space planning needs.

